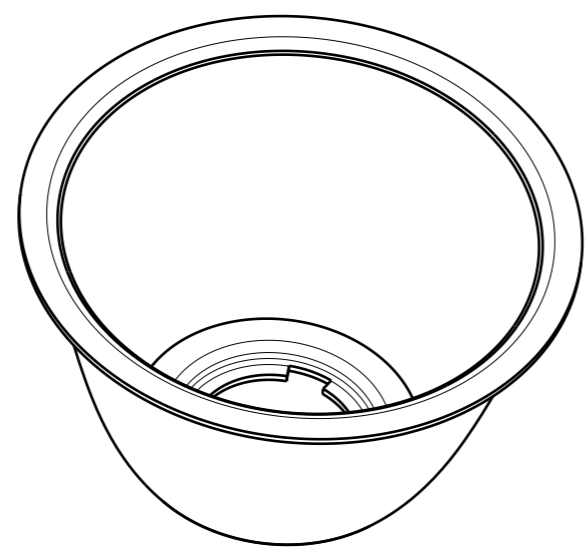
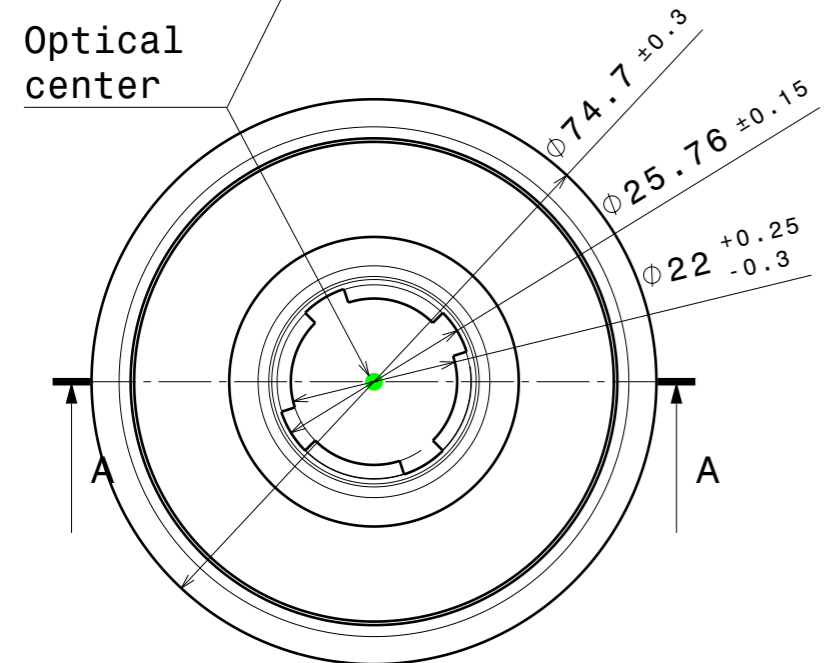


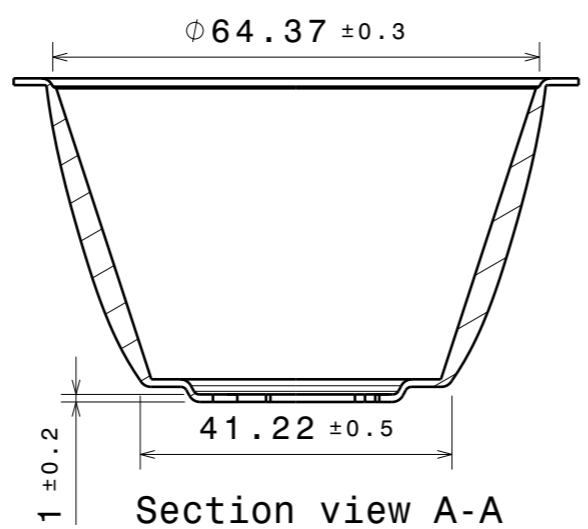
Bottom view  
Scale: 1:1



Isometric view  
Scale: 1:1

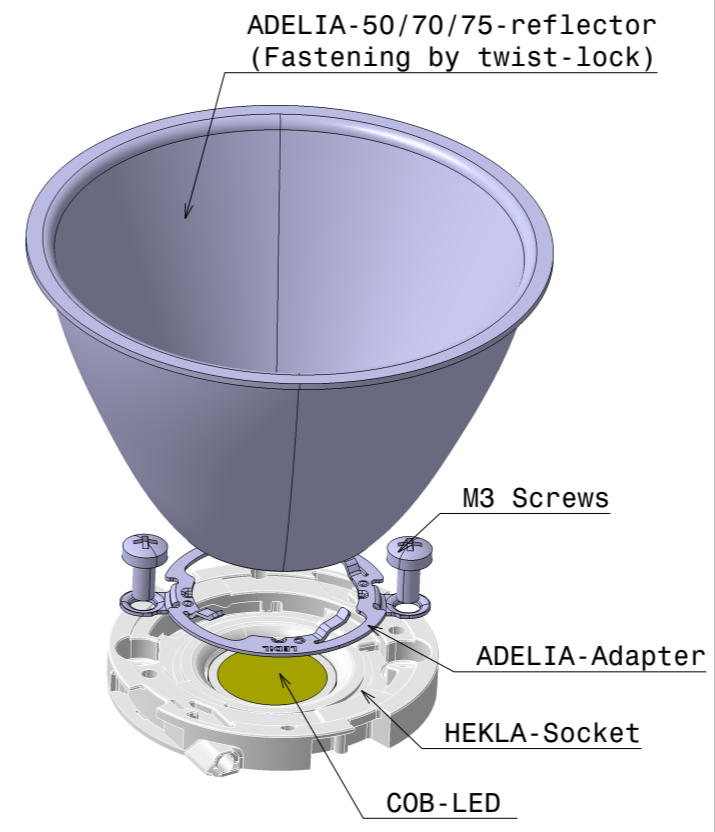


Front view  
Scale: 1:1

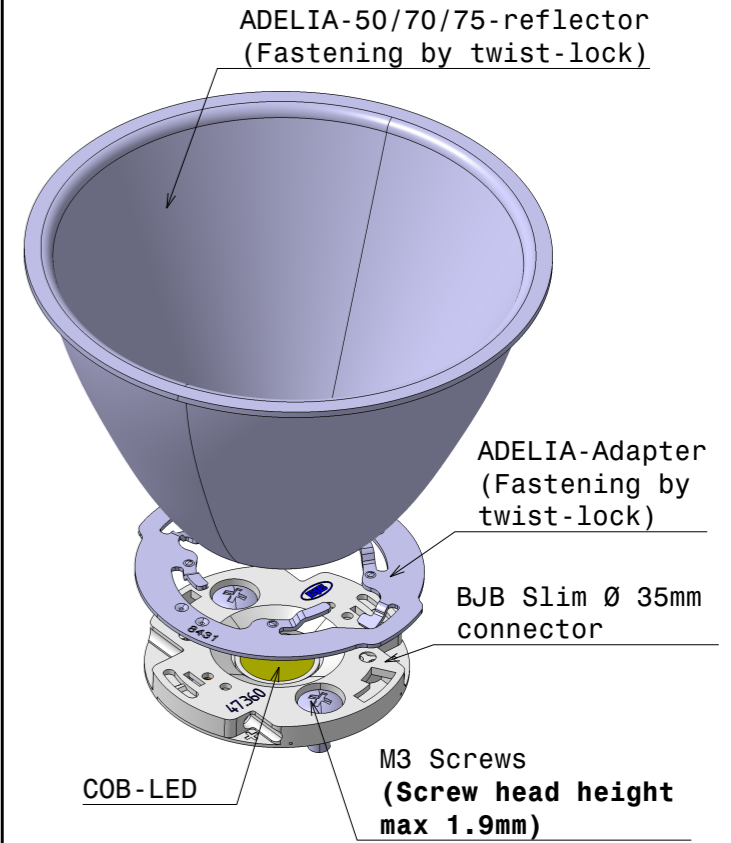


Section view A-A  
Scale: 1:1

Example assembly with Hekla socket:



Example assembly with slim Ø 35mm BJB socket:



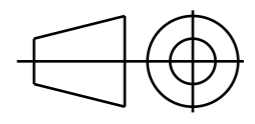
PART	TYPE	MATERIAL	COLOR / COATING
C18657_ADELIA-75-WW	Reflector	Aluminium	Polished

**MECHANICAL DRAWING**

PRODUCT  
**ADELIA**

Plastic moulding general tolerances according to DIN 16901-130 and applies if not otherwise shown in the drawing. Silicone moulding general tolerances according to ISO 3302-1 Class M3 and applies if not otherwise shown in the drawing.

FIRST ANGLE PROJECTION:



SCALE 1:1

WEIGHT -

**LEDiL**

This drawing is the property of LEDiL Oy. It may not be copied or otherwise distributed without prior written permission from LEDiL Oy.

A3 SHEET 1/1

**Notes**

●	PCB or heatsink level.
●	LED location
	Ensure LED fitting from a product specific 3D model available from <a href="http://www.ledil.com">www.ledil.com</a>
	For more details about installation please see LEDiL Installation Guide on <a href="http://www.ledil.com">www.ledil.com</a>